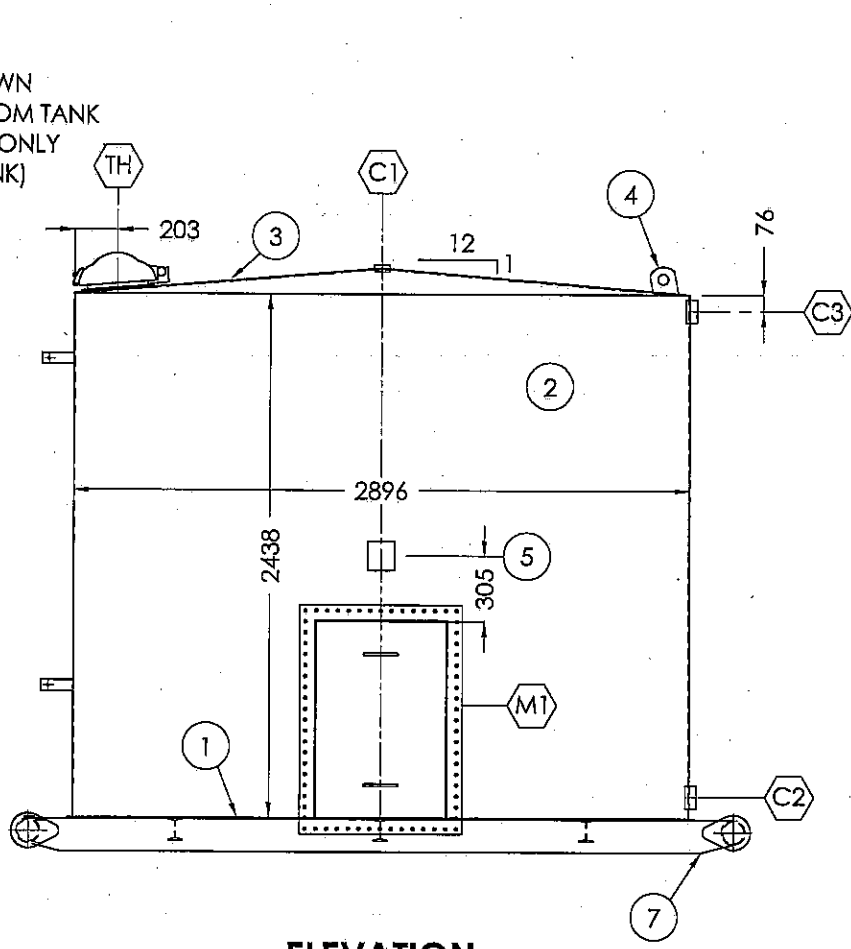


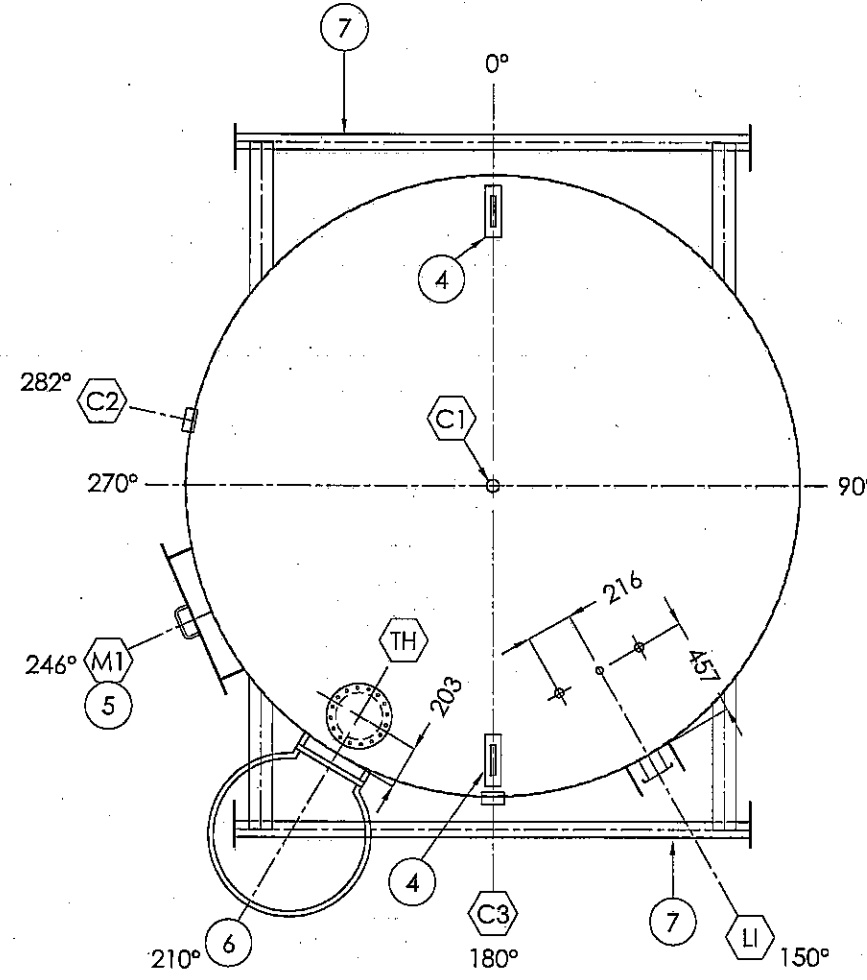
BILL OF MATERIALS

MARK	QTY	MATL	DESCRIPTION	SERVICE
1	1	A36	6.4 PL. x 2946 DIA. FLAT BOTTOM	
2	1	A36	4.8 PL. x 2438 x 9098 LG. SHELL	
3	1	A36	4.8 PL. x 2918 DIA. CONED ROOF	
4	2	A36	SMALL LIFT LUG c/w REPADS	
5	1		NAMEPLATE c/w BRACKET	
6	1	A36	2438 HIGH LADDER c/w SAFETY HOOP	
7	1	A36	100 BBL. BASE SKID (CHANNEL DESIGN)	
M1	1	A36	610 x 914 (24" x 36") RECT. MANWAY (SET ON FLOOR)	
	1	A36	762 x 1066 (30" x 42") RECTANGULAR MANWAY COVER	
TH	1		219 DIA (8") ENARDO 330 SWEET SERVICE THIEF HATCH SET @ 16 oz. PRESSURE / 0.4 oz. VACUUM	
LI	1	A105	33 DIA (1") 3000 # NPT FULL CPLG	
	2	A105	42 DIA (1-1/4") 3000 # NPT FULL CPLG	
	1		ARGO STANDARD GAUGE SYSTEM C/W METRIC LEVEL GAUGE BOARD	
C1	1	A105	60 DIA. (2") NPT HALF REC. LINE CPLG.	VENT
C2	1	A105	89 DIA. (3") NPT HALF REC. LINE CPLG.	DRAIN
C3	1	A105	89 DIA. (3") NPT HALF REC. LINE CPLG.	FILL

LADDER SHOWN SEPARATE FROM TANK FOR CLARITY ONLY (WELD TO TANK)



ELEVATION



ORIENTATION

NOZZLES			
MARK	PROJ.	ELEV.	NOTES
C1	N/A	ROOF	
C2	N/A	100mm	
C3	N/A	SEE DWG	

**DESIGN NOTES**

- TANK TO BE BUILT AND TESTED TO API-12F SPEC. MODIFIED (NON LABELED)
- TANK TO BE AIR/SOAP LEAK TESTED TO 1.5 PSI.
- ROOF/SHELL JOINTS NOT TO BE BACKWELDED TO MEET API-2000 SPECS.
- ESTIMATED SHIPPING WEIGHT = 5880 LBS. (2671 KG.)
- REFER TO ORIENTATION DRAWING FOR PROPER LOCATION OF ALL NOZZLES, COUPLINGS, ETC.
- ALL DIMENSIONS ARE IN mm.
- ALL ELEVATIONS ARE TAKEN FROM TOP OF TANK FLOOR.

**INTERNAL & EXTERNAL FINISH**

- INTERNAL FINISH  
NO INTERNAL FINISH
- EXTERNAL FINISH  
BLAST: SSPC-SP7 BRUSH BLAST USING SIL 7 SAND  
PRIMER: 1.5 - 2.0 MILS DFT OF CLOVERDALE TOWER OR RUSTEX #71024 GRAY  
PAINT: 1.5 - 2.0 MILS DFT OF CLOVERDALE ARGO GRAY CC425 MARINE ENAMEL
- EXTERNAL BOTTOM FINISH  
NO BOTTOM FINISH

CUSTOMER: ARGO SALES LTD.

TITLE: ONE (1) 16 CU. M. (100 BBL) 2896 DIA. x 2438 HIGH BASE SKIDDED STANDARD STORAGE TANK

APPROVED BY:	CHECKED BY:	DRAWN BY: WE
DATE: 01/11/02	TAG #:	DRAWING#: B-12627-32
SHEET: 1 OF 1	SCALE: NTS	SERIAL#: 12627-32

REVISIONS

NO.	DESCRIPTION	BY	DATE
0	ISSUED FOR FABRICATION	WE	09.16.04

ARGO SALES LTD. 100 BBL BASE SKIDDED STANDARD STORAGE TANK

