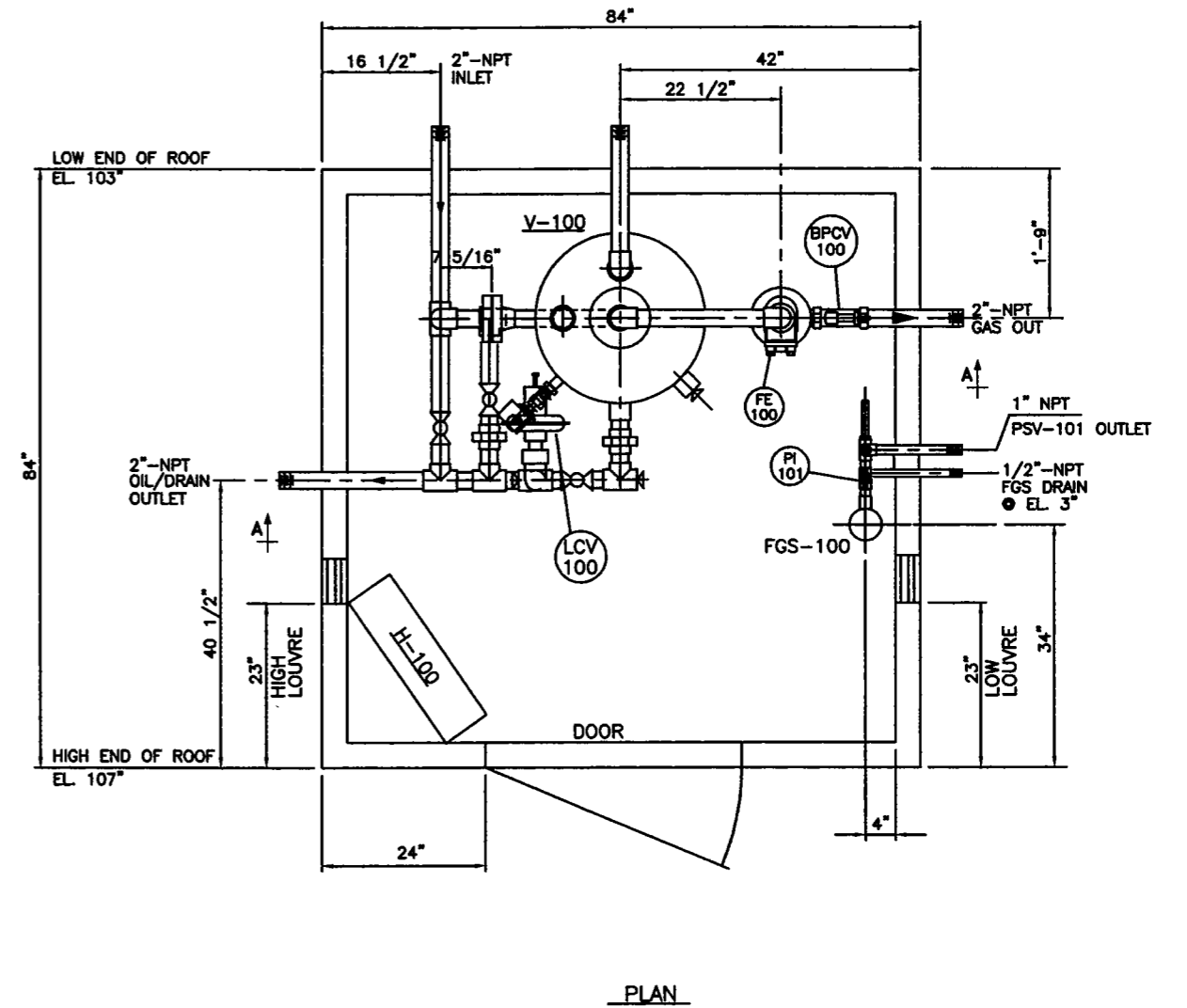


SECTION A-A



PLAN



PRIORITY PROJECTS LTD.

1603-8 STREET, NISKU, ALBERTA T9E-7S7
 TELEPHONE: (780) 955-3320 FAX: (780) 955-2561

GENERAL ARRANGEMENT
 24"O.D. x 5'-0" S/S x 720 PSIG
 2 PHASE SEPARATOR SKID PACKAGE

0	JUNE 20/01	FOR CONSTRUCTION	SPB	DL			
NO.	DATE	REVISIONS	DRAWN	CHECK	DESIGN	APPR.	
			DRAFTING		ENGINEERING		

CUSTOMER NAME	SCALE	DRAWING NUMBER	REV.
STOCK	1"-1'-0"	-200	0
CUSTOMER DWG NUMBER			